

# FH 232 SERIES DIESEL PRO®

## DIESEL FUEL FILTRATION SYSTEM

**All-In-One Fuel Filter,  
Fuel- Water Separator  
and Fuel Heater**  
*Seeing is Believing®*



- Eliminates unnecessary changes and maintenance
- Extended filter change intervals
- Clear cover provides instant visual indication of filter life
- Quick change and easy disposal of filter element
- Metric inlet/outlet ports
- 5 year warranty on the housings - 2 years on electrical components

The Fleetguard Diesel Pro uses the same long-life filter used in all Fleetguard Fuel Pro filters. Now you can stock only one filter part number for your fleet fuel systems and get extra long life from tight micron filters to meet your specific OEM requirements.

In addition to long filter life, Diesel Pro's StrataPore provides top rated water separation. Furthermore, there are filter preheater options to make sure your medium duty diesel engine keeps running longer in any season.

### Ordering information

*For more information:*

*Belgium* +32 15 28 93 11

*France* +33 298 76 49 49

*U.K.* +44 1455 542 222

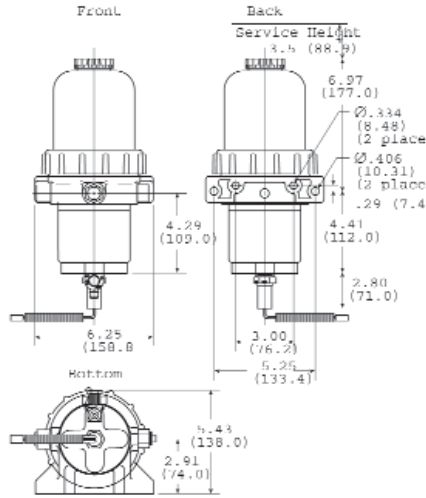
*S. Africa* +27 33 355 5815

Part-No. Housing	Filter Element (StrataPore)	Fuel compatability	24VDC Pre Heater	Fluid Heater
FH23209M	25 µm	Regular Diesel	- <sup>(1)</sup>	-
FH23210M	25 µm	Regular Diesel	yes	-
FH23211M	25 µm	Regular Diesel	yes	yes
FH23212M	25 µm	Bio Diesel	- <sup>(1)</sup>	-
FH23213M	25 µm	Bio Diesel	yes	-
FH23214M	25 µm	Bio Diesel	yes	yes

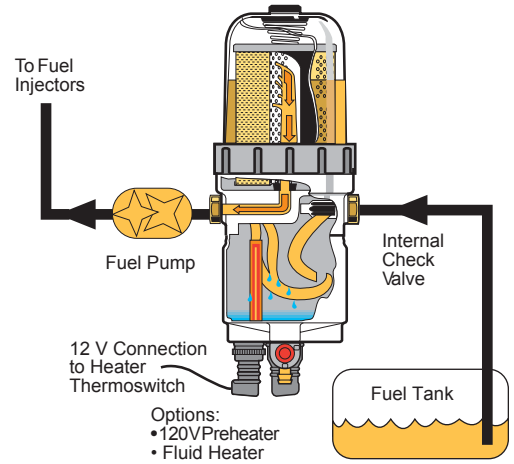
<sup>(1)</sup> plugged ports available for 12 or 24 VDC Heater Thermostat



## DIMENSIONS



## TYPICAL INSTALLATION

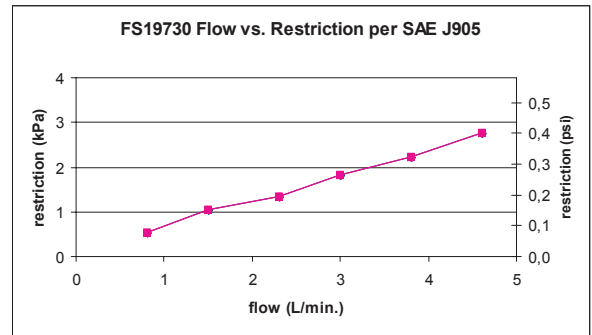


## TECHNICAL SPECIFICATIONS

Height Overall	356.6 mm (14.0")
Depth Overall	150 mm (5.90")
Width, Max.	159 mm (6.25")
Mount Bracket Centers or Rear Mount Centers	133.4 mm (5.25") 76.2 mm (3.0")
Weight (Dry)	2.2 kg
Fuel Capacity (w/o filter)	0.45 litre
Fuel Connections (Inlet)	M16 x 1.5
Fuel Connection (Outlet)	M16 x 1.5
Fluid Heat Connection (Inlet)	M14 x 1.5
Fluid Heat Connection (Inlet)	M14 x 1.5
Optional Fuel Outlet	3/4"-16 O-Ring Boss
Oper. Fuel Flow Rate	230 litres/hour
Water Trap Capacity	0.32 litre
Filter Replacement	FS19785 EleMax™ StrataPore (25 micron)
Filter Service Clearance	88.9 mm (3.5")
Mounting Bracket	Cast in Head
Electrical Heater	12 VDC, 150 W, 13 A ± 3 A 24 VDC, 150 W, 6.5 A ± 2 A

\* Other filter options at different Micron Ratings available.  
Specifications subject to change without notice.

FH 232 Series with FS 19785 (25 µm) Filter element per SAE J905



FH 232 Series with FS 19785 (25 µm) Filter element per SAE J905

